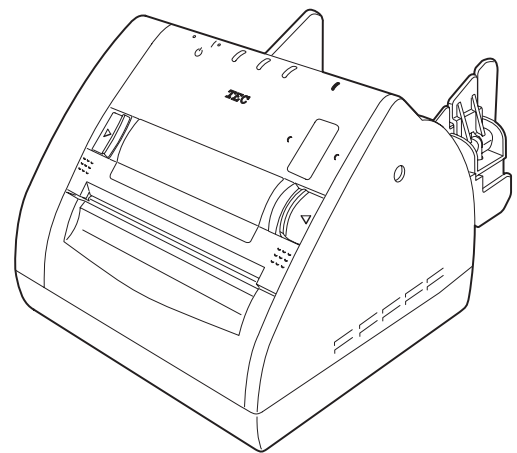




TEC Label Printer

B-419-GS10-QQ

Owner's Manual



TOSHIBA TEC CORPORATION

TABLE OF CONTENTS

	Page
1. PRODUCT OVERVIEW	1-1
1.1 Introduction	1-1
1.2 Features	1-1
1.3 Unpacking	1-1
1.4 Accessories	1-2
1.5 Appearance	1-2
1.5.1 Dimensions	1-2
1.5.2 Front View	1-3
1.5.3 Rear View	1-3
1.5.4 Interior	1-3
1.5.5 Operation Panel	1-4
2. PRINTER SETUP	2-1
2.1 Precautions	2-1
2.2 Procedure before Operation	2-2
2.3 Connecting the Cables to Your Printer	2-2
2.4 Connecting the Power Cord	2-3
2.5 Turning the Printer ON/OFF	2-4
2.5.1 Turning ON the Printer	2-4
2.5.2 Turning OFF the Printer	2-4
2.6 Opening/Closing the Media Cover	2-5
2.7 Loading the Media	2-6
2.7.1 Loading the Fanfold Paper	2-7
2.7.2 Loading the Cut Form	2-8
2.8 Removing/Installing the Paper Guide Unit	2-9
2.9 Test Print	2-10
2.10 Program Download	2-13
2.10.1 Outline of Features	2-13
2.10.2 Install Program Installation	2-13
2.10.3 Firmware Files Copy	2-17
2.10.4 Sensor Adjustments	2-23
2.10.5 Printer Information Registration	2-26
2.10.6 Test Print	2-28
2.10.7 Version Display	2-29
3. MAINTENANCE	3-1
3.1 Cleaning	3-1
3.1.1 Print Head/Platen	3-1
3.1.2 Paper Path/Sensors	3-2
3.1.3 Covers	3-2
3.2 Care/Handling of the Media	3-2

4. TROUBLESHOOTING.....	4-1
4.1 LED State	4-1
4.2 Error Process.....	4-2
4.3 Possible Problems	4-3
4.4 Removing Jammed Media	4-3
APPENDIX 1 SPECIFICATIONS.....	A1-1
A1.1 Printer	A1-1
A1.2 Media.....	A1-2
A1.2.1 Media Type.....	A1-2
APPENDIX 2 INTERFACE	A2-1
APPENDIX 3 PRINT SAMPLES.....	A3-1
GLOSSARIES	
INDEX	

WARNING!

This is a Class A product. In a domestic environment this product may cause radio interference in which case the user may be required to take adequate measures.

CAUTION!

1. *This manual may not be copied in whole or in part without prior written permission of TOSHIBA TEC.*
2. *The contents of this manual may be changed without notification.*
3. *Please refer to your local authorized service representative with regard to any queries you may have in this manual.*

This is a “Table of Contents preview” for quality assurance

The full manual can be purchased from our store:

https://the-checkout-tech.com/manuals/TEC/B-419_owners_manual.html

And our free Online Keysheet maker:

<https://the-checkout-tech.com/Cash-Register-Keysheet-Creator/>

[HTTPS://THE-CHECKOUT-TECH.COM](https://THE-CHECKOUT-TECH.COM)